

VAREC 42 Series
SAMPLING AND GAUGING HATCH COVER

The 42 Series is designed to provide quick access to tanks for product gauging, temperature measurement and sampling.

Introduction

The VAREC 42 Series Hatch Covers are installed on tanks to provide access for gauging, temperature measurement or sampling. The Hatch Covers are provided with a lockdown device that allows for a gas-tight seal up to 3 psig [20.7 kPa].

For ease of use, the lockdown device includes an ergonomically friendly handwheel. A padlock feature is incorporated to prevent unauthorized tank access through the hatch. In addition, the VAREC 42 Series Hatch Covers include a foot pedal to open the cover, enabling the operator free use of both hands while gauging or sampling the tank contents. Once open, the cover can remain open for ease of use.



Construction

The standard VAREC 42 Series Hatch Covers are available in 356 HT aluminum construction. Other materials are available on request. The flanges are flat face, drilled per ANSI Class 125 dimensions.

An optional steel base is available for welding to tank roofs. Available sizes for the VAREC 42 Series Hatch Covers are 4" through 10". BUNA-N, Viton®, Teflon® inserts are also available.

Materials of Construction

Base	Cover	Seat Insert
Aluminum	Aluminum	BUNA-N / Viton® / Teflon®
Carbon Steel	Aluminum	BUNA-N / Viton® / Teflon®
Stainless Steel	Stainless Steel	BUNA-N / Viton® / Teflon®

Technical Data

- Sizes 4" through 10"
- Handwheel with padlock feature
- Non-sparking design
- Corrosion resistant 356 HT aluminum
- Safety foot pedal
- BUNA-N, Viton® and Teflon® inserts

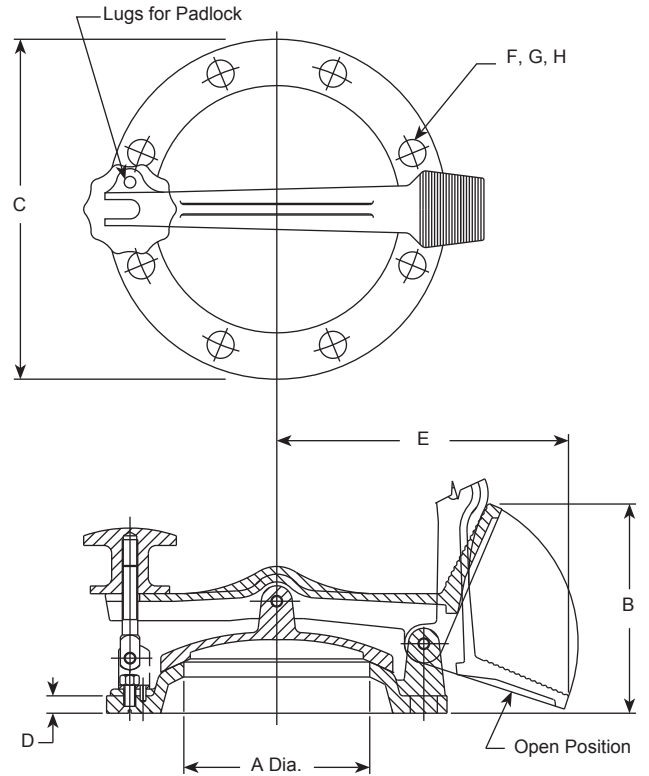
NOTE
 Viton® is a registered trademark of DuPont Dow Elastomers.
 Teflon® is a registered trademark of E.I. du Pont de Nemours Company

Specifications

Dimensions and Weights, inches [mm] and lbs. (kg)

Size Code	4	6	8	0
A Nominal Pipe Size	4	6	8	10
	[100]	[150]	[200]	[250]
B Height	5 3/4	6 3/4	6 3/4	7
	[146]	[171]	[171]	[178]
C Flange Diameter	9	11	13 1/2	16
	[229]	[279]	[343]	[406]
D Flange Thickness	1/2	9/16	9/16	5/8
	[13]	[14]	[14]	[16]
E Clearance	8 1/8	9 3/4	10 7/8	12
	[206]	[248]	[276]	[305]
F Diameter Bolt Circle	7 1/2	9 1/2	11 3/4	14 1/4
	[191]	[241]	[298]	[362]
G Number of Holes	8	8	8	12
H Hole Size	3/4	7/8	7/8	1
	[19]	[22]	[22]	[25]
Approximate Shipping Weight	10	12	15	20
	(4.5)	(5.4)	(6.8)	(9.1)

Shipping weights shown for aluminum construction. Flange drilling per ANSI 150# F. F. Flange. Dimensions are for preliminary general information and should not be used for construction purposes. Certified dimensional drawings are available upon request.



Ordering Information

Model	Description	
42	Sampling and Gauging Hatch - Lock Down Cover	
	Code	Size
	4	4"
	6	6"
	8	8"
	0	10"
	Code	Material Base
	11	Aluminum
	31	Carbon Steel
	66	Stainless Steel
	Code	Insert Material
	B	BUNA - N
	V	Viton®
	T	Teflon®
	Code	Connection Type
	A	Flat Face flange drilled to ANSI 150 (Standard)
	W	Welded Connection (Available on Carbon Steel Base Only)
	D	DIN Flat Face Flange

42 4 11 B A (Example)

Example: 4" 42 Series Sampling and Gauging Hatch Cover, all Aluminum with BUNA - N insert with Flat Face flange drilled to ANSI 150 (Standard)