

VAREC BIOGAS 220W Series ROOF MANHOLE COVER WITH SELF-LOCKING PEDAL

The 220W Series Roof Manhole Cover with self-locking pedal is a large diameter manway that provides quick and easy access for personnel onto digesters and tank.

Introduction

The Varec Biogas 220W Series Roof Manhole Cover is available in 30", 36", 42", and 48".

Construction

The unit is constructed of lightweight aluminum. It can be opened and closed by one man using the convenient lifting handles.

The roof manhole cover comes complete with a self-locking foot pedal, spring loaded open cover latch mechanism and a manual safety pin to prevent accidental closure of the cover.

When pressurized, the unit is ideal for use on vessels that must hold a positive head pressure.

The cover is held in place by eight to ten hinged wing nuts depending on the diameter of the cover. The wing nuts can be opened or sealed tightly against pressure by one person, in less than five minutes without the use of any special tools or devices.



Materials of Construction

Aluminum base and cover with interior surfaces sealed with coal tar epoxy (Standard)

Sealing Gasket

Neoprene

Wing Nuts

Stainless Steel

Hinge Pins & Bolts

Stainless Steel

Technical Data

- Sizes 30", 36", 42", and 48"
- Lightweight design and easy to operate
- Corrosion resistant materials of construction
- Reusable Neoprene Gasket
- Safety foot pedal

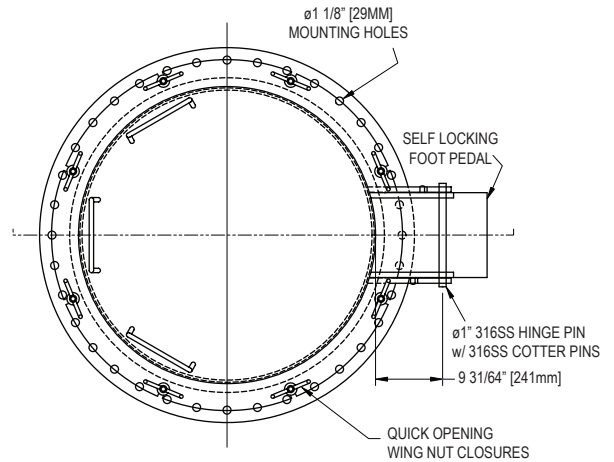
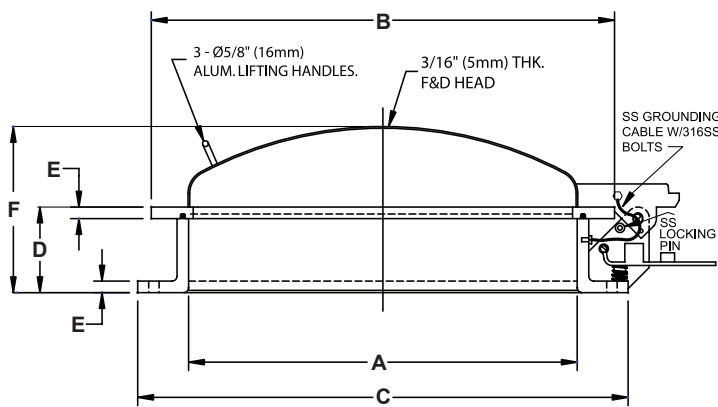
Connections

- Standard unit comes complete with flanges to mate AWWA Class B Flanges
- Bolt circle diameter meets ANSI B16.1
- Unit meets CGA Standards
- Tested at 30" WC Pressure

Specifications

Dimensions and Weights, inches [mm]

Size Code	30	36	42	48
A	30 1/4 [762]	36 [914]	42 [1067]	48 [1219]
B	33 5/8 [854]	42 5/8 [1083]	50 1/8 [1232]	54 1/2 [1384]
C	36 1/2 [927]	45 1/2 [1156]	53 [1346]	59 1/2 [1511]
D	9 1/4 [235]	9 1/4 [235]	9 1/4 [235]	9 1/4 [235]
E	1 1/4 [32]	1 1/4 [32]	1 1/4 [32]	1 1/4 [32]
F	17 [432]	17 [432]	18 [457]	20 [508]
Diameter Bolt Circle	33 3/4	42 1/4	49 1/2	59
Number of Wing Nuts	8	8	8	8
Overall Height When Open	52 [1321]	46 [1168]	59 [1499]	66 [1676]



Ordering Information

Model	Description
220W	Roof Manhole Cover with Self-Locking Pedal

Code	Size
30	30" [750mm]
36	36" [900mm]
42	42" [1050mm]
48	48" [1200mm]

Code	Material
11	Aluminum Cover and Base, Coal Tar Epoxy Internal, Stainless Steel Wing Nuts and Stainless Steel Hinge Pins and Bolting.

220W 42 11 (Example)

Example: 220W Roof Manhole Cover, 42 inch, Aluminum Cover and Base, Coal Tar Epoxy Internal, Stainless Steel Wing Nuts, Stainless Steel Hinge Pin and Hardware.