

VAREC 8200 Series CURRENT OUTPUT TRANSMITTER

The 8200 Series Current Output Transmitter is a precision analog instrument designed to mount directly to the Varec Biogas 2592 Series Cover Position Indicators.

Introduction

The VAREC Model 8200 Current Output Transmitter is a precision analog instrument designed to mount directly to the Varec Biogas 2592 Series Cover Position Indicator and provides a 4-20 mA or 10-50 mA signal which varies indirect proportion to the liquid level.

The Model 8200 is designed to provide an increase in current output with a rising level, but can be manufactured with a reverse “outage” reading output.

The 30 D.C. Voltage required for operation may be supplied by the user or through a 115 or 230 VAC on board power supply.

Nine (9) different factory calibrated level ranges (Fractional or Metric reference dials) are available.



Technical Data

- Mounts directly to Varec Biogas 2592 Series Gaugeheads and Cover Position Indicators
- Two Wire, Industry Standard 4-20 or 10-50 mA Output
- 115 or 230 VAC On Board Power Supply Available
- 0.25% Accuracy Over Full Range
- Fully Approved to FM, cFM, ATEX and IECEx
- Op. Temperature: -13°F to +185°F (-25°C to +85°C)
- Operating Humidity: 0 to 95% non-condensing

Materials of Construction

Enclosure

Explosion proof cast aluminum, Rated IP65 (NEMA 4)

cFM - Explosion Proof - Class 1, Division 1, Groups C & D T5 Ta = +85°C
Flameproof Class 1, Zone 1
Ex d IIB T5 Ta = +85° C

Specifications

Power Requirements

15 to 48 VDC (User Supplied)
115 VAC ± 10% 50/ 60 Hz
(On Board 30 VDC Power Supply)
230 VAC ±10% 50/ 60 Hz
(On Board 30 VDC Power Supply)

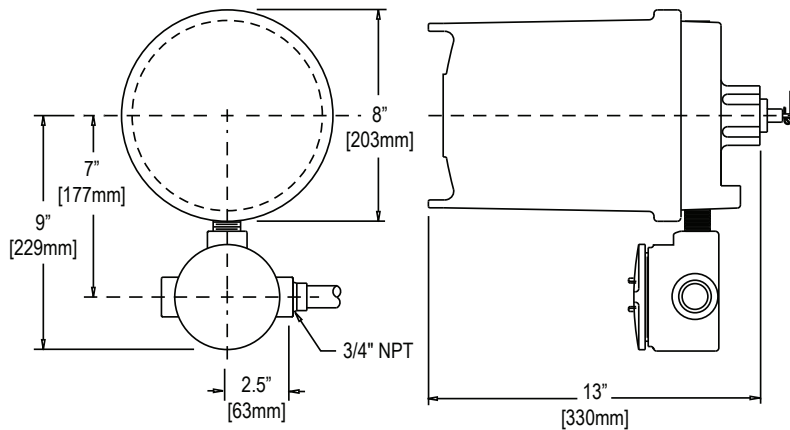
Physical

Net Weight: 16 lbs [7.3kg]
Shipping Weight: 25 lbs [11.3kg]

Conduit Entries: Enclosure: 2 x 3/4" NPT
(Standard configuration uses one entry)
Terminal Junction Box: 2 x 3/4" NPT

Specifications

Dimensions and Weight



Encoder

Increment Brush Encoder

Gearing System

Stainless Steel, Direct Drive

Accuracy

0.25% at 100% Span, .35% at 45% Span

Output

4-20mA or 10-50mA, Jumper Selectable

Range Adjustment

50 - 100%

Span Adjustment

45 - 105 %

Loop Resistance (Loop Plus Line)

8200 COT with 48 VDC by User:
1500 Ohms (Max)

8200 COT with Integral DC Supply:
500 Ohms (Max)

Signal Wires

4-20 mA, two (2) Conductors

Limit Switches

Two (2) or four (4) SPDT limit switches can be supplied as an option. They have the following ratings:
20A @ 125, 250, 460 VAC
10A @ 1225 VAC Tungsten Filament Lamp Load
1HP @ 115 VAC, 2 HP @ 250 VDC
1/2A @ 125 VDC, 0.25A @ 250 VDC
Normally Open or Normally Closed

Ordering Information

Model	Description
8200	4-20 mA Current Output Transmitter

Code	Power Input (Select One)
0	15 - 48 VDC
1	115 VAC
2	220 - 240 VAC

Code	Level Ranges
1	0 - 12.5 Feet
2	0 - 25 Feet
3	0 - 50 Feet
4	0 - 100 Feet
5	0 - 3.75 Meters
6	0 - 7.5 Meters
7	0 - 15 Meters
8	0 - 24 Meters

Code	Approvals
0	FM - Explosion Proof - Class I, Division 1, Groups C & D T5 Ta = +85°C: Flameproof Class I, Zone 1, AEx d IIB T5 Ta = +85°C, Enclosure NEMA 4
1	cFM - Explosion Proof - Class I, Division 1, Groups C & D T5 Ta = +85°C: Flameproof Class I, Zone 1, Ex d IIB T5 Ta = +85°C, Enclosure NEMA 4
2	ATEX - Flameproof - Ex II 2 G, Ex d IIB T5 Ta = +85° C
3	IECEX - Flameproof - Ex d IIB T5 Ta = +85°C

Code	General Options (Select One)
0	None
1	2 SPDT Switches (Normally Open)
2	4 SPDT Switches (Normally Open)
3	Reverse Reading
4	Reverse Reading with 2 SPDT Switches (Normally Open)
5	Reverse Reading with 4 SPDT Switches (Normally Open)

Code	Junction Box
0	None
1	Included

8200 0 2 0 0 0 (Example)

Example: 4-20 mA Current Output Transmitter, 15 - 48 VDC, 0 - 25 Feet, FM Approval.